

700 SERIES

INSTALLATION GUIDE



SUB-ZERO 700 SERIES INSTALLATION GUIDE

These pages demonstrate how this product should be installed to function safely and efficiently. However, we realize the actual installation of this product will vary depending upon your specific conditions. This booklet cannot cover all circumstances, but it does offer all the necessary information. Review the instructions before you start. It is important that you follow these instructions in order. If you have any questions regarding the installation, contact your selling dealer. If you still have unanswered questions, call your local product distributor or Sub-Zero at 800-222-7820 or e-mail us at customerservice@subzero.com.

If you have any comments on how we can make these instructions better, we would like to hear from you. Direct your comments to the Marketing Services Manager, Sub-Zero Freezer Co., Inc., P.O. Box 44130, Madison, WI 53744-4130.

IMPORTANT NOTE: As you follow these instructions, you will notice warning and caution symbols. This blocked information is important for the safe and efficient installation of this Sub-Zero.

There are two types of potential hazards that may occur during this installation.

⚠ WARNING

states a hazard may cause serious injury or death if precautions are not followed.

⚠ CAUTION

signals a hazard where minor injury or product damage may occur if you do not follow instructions.

Another footnote we would like to identify is:

IMPORTANT NOTE: This highlights information that is especially relevant to a problem-free installation.

7 0 0 S E R I E S

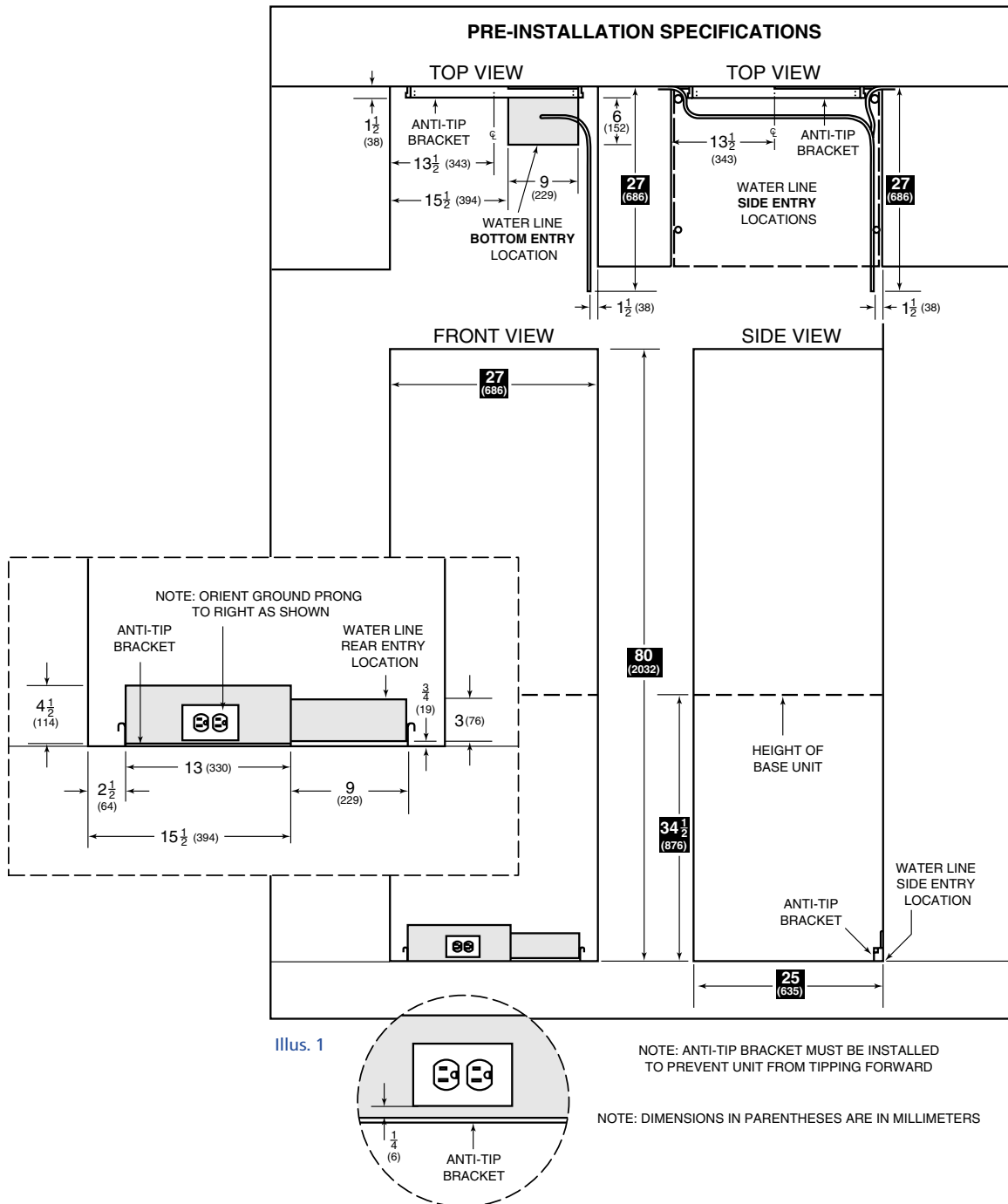


700 SERIES PRE-INSTALLATION INSTRUCTIONS

Area Requirements

Before moving the units in place, be sure the finished dimensions, electrical and plumbing locations and minimum drawer and door clearances are accurate. See illustration 1.

Be sure your plumber, electrician and cabinet installer have this information before finishing work is completed.



Illus. 1

700 SERIES PRE-INSTALLATION INSTRUCTIONS

Electrical

A 115 volt, 60Hz, 15 amp circuit breaker and electrical supply are required. A separate circuit is required for each unit. Follow the National Electrical Code and local codes and ordinances when installing the receptacle.

⚠ WARNING

All Sub-Zero 700 Series units are equipped with a 3-prong grounding plug and they must be plugged into a mating 3-prong grounding-type wall receptacle.

Do not use an extension cord, or two prong adapter. Electrical ground is required on this appliance.

Do not under any circumstances remove the power supply cord ground prong.

IMPORTANT NOTE: The electrical outlet must be placed so the grounding prong is to the right of the thinner blades. The outlet must be flush with the back wall. Refer to illustration 1 on page 3, for exact placement.

Plumbing

For units with an automatic ice maker, rough in the water supply line. Connect a 1/4" OD copper line to the house supply. Be sure to use an easily accessible shut-off valve between the supply and the refrigerator. This shut-off valve should not be installed behind the unit. Do not use "self-piercing" valves. A saddle valve (part #4-20-088-0) is available from your distributor/dealer. A line filter is required when the water supply has a high mineral content. The water supply must maintain 20 to 100 psi of water pressure.

Illustration 1 shows the water line's precise placement. When routing the water through the side walls, you must place the water line within 1/2" of the floor and as close as possible to the back wall.

The line must be routed around the anti-tip bracket so it clears the bracket and the leveling "feet" of the unit. Refer to the top view in illustration 1. Regardless of the routing, allow for 27" of excess copper tubing to remain outside the wall or floor for easy connection to the unit.

IMPORTANT NOTE: Do not route water supply line in front of compressor tray. The tray must be slid forward for service.

Door/Drawer Panels

Refer to instructions for installation under "Panel Installations". You should be sure of panel sizes and placement before proceeding with installation. If you have questions, contact the selling Sub-Zero dealer or cabinet supplier. Instructions regarding sizing of the panels are provided in the "Sub-Zero Design Guide".

Side Panels

With the Sub-Zero 600 Series, side panels are not attached to the units. With the 700 Series you must securely fasten the panels to adjacent cabinets and floor.

Panels should be fastened to the floor and walls using "L" brackets (hardware not provided). To help you move the 700 Series model into place, route out an area in the floor so the 'L' bracket will sit flush with the floor level. Brackets and screws are provided for mounting the unit to adjoining cabinets and side panels. On the tall units there are four side mounting clips on each side and on the base unit there are two per side.

IMPORTANT NOTE: For installations where you are not attaching to a side wall or you are installing two 700 Series units together, you must remove the clips before moving the unit into place. After removing clips, replace screws in holes and discard clips.

Optional components are necessary for anchoring 700 Series together. Contact your product distributor or call (800) 222-7820 for details.

700 SERIES

700 SERIES PRE-INSTALLATION INSTRUCTIONS

Moving Unit

Before bringing the unit into a house, it should be uncrated outside. The wooden crate base is fastened to the unit by four bolts from the bottom. Remove the box and wood base and discard this material.

IMPORTANT NOTE: When you move the unit into the house using a hand truck or dolly, position the dolly on the side of the unit and secure the door and/or drawers so they do not open while transporting the unit.

Blocking

For shipping, the anti-tip blocking bracket is fastened to crate base at the back of the unit. Where you are installing the unit in the space deeper than 24", you must install the anti-tip blocking bracket no more than 24" deep so it engages the unit properly. It is important that this measurement be made from the front of the unit without panels, to the back of the anti-tip blocking bracket. In all instances, the Sub-Zero unit should be installed on a solid base.

▲ WARNING

To prevent the unit from tipping forward, secure the unit with the anti-tip blocking bracket.

Wood Floor Applications

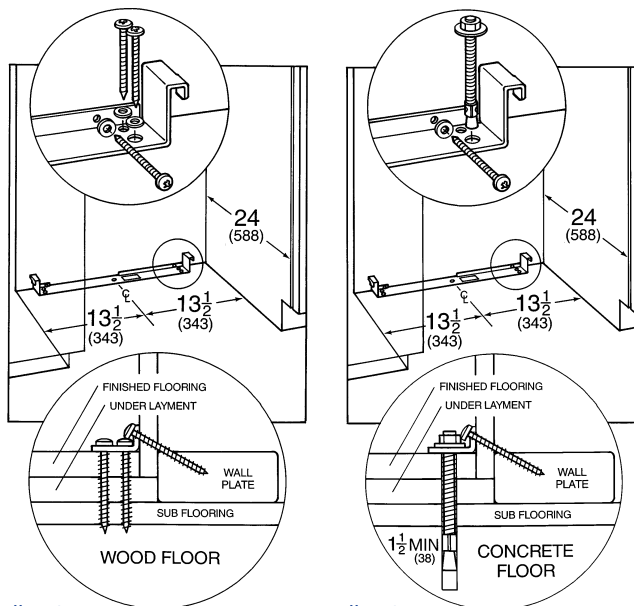
Use the six #12 x 2-1/2" wood screws and the six 1/4" flat washers provided. Following illustration 2, drill pilot holes 3/16" diameter maximum, being certain the screws penetrate through the flooring material and into the wall plate a minimum of 3/4". Be sure screws hold tight.

▲ WARNING

Assure that there are no electrical wires or plumbing in the area which the screws could penetrate.

Concrete Floor Applications

Use two 3/8" x 3-3/4" concrete wedge anchors, two #12 x 2-1/2" wood screws, and two 1/4" flat washers provided. See illustration 3.



Illus. 2

Illus. 3

Installation Instructions For Concrete Wedge Anchors

1. Drill a 3/8" diameter hole any depth exceeding the minimum embedment. Clean hole or continue drilling additional depth to accommodate drill fines. NOTE: Use a carbide drill bit manufactured within ANSI B94.12-77.
2. Assemble washer and nut flush with end of anchor to protect threads. Drive anchor through material to be fastened until washer is flush to surface material.
3. Expand anchor by tightening nut 3-5 turns past hand tight position or to 25 foot-pounds of torque.

▲ CAUTION

Always wear safety glasses and other necessary protective devices or apparel when installing or working with anchors.

Not recommended for use in light-weight masonry material such as block or brick. Use of core drills not recommended to drill holes for this anchor. Not recommended for use in new concrete which has not had sufficient time to cure.

IMPORTANT NOTE: In some installations the sub-flooring or finished floor may necessitate angling the wood screws used to fasten the anti-tip blocking bracket to the back wall. Refer to illustrations 2 and 3 for examples.

700 SERIES INSTALLATION INSTRUCTIONS

Installing

Before moving the unit, remove the drawers and make sure the door is fastened with tape.

IMPORTANT NOTE: On base units, the top drawer has a control cable that needs to be disconnected before removing this drawer. Refer to illustration 4 for placement and how to disconnect this fitting.

The drawers should be placed aside until you are ready for installation of the cabinet panels. Remove the decorative top and side molding pieces and the toe plate/grille.

IMPORTANT NOTE: When installing two or more 700 Series units together, the heater plate from the dual unit kit must be attached to the left side exterior of the right hand unit BEFORE the unit is slid into position.

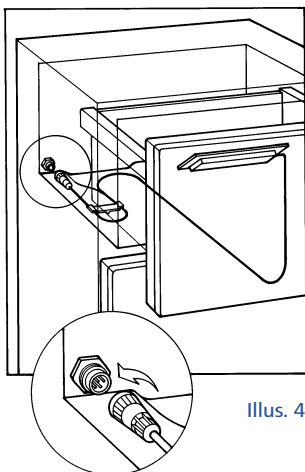
⚠ WARNING

Shut off the power to the wall outlet.

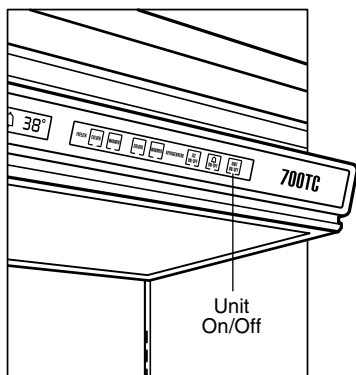
⚠ CAUTION

Any finished flooring should be protected with appropriate material to avoid any damage from moving the unit.

IMPORTANT NOTE: The floor under the refrigerator and/or freezer must be at the same level as the surrounding finished floor. Before moving the unit back in place, tape down the supply water line for your ice maker so it will stay in place as you move the unit. Refer to illustration 1 on page 3 for placement of the water line. Also, screw out the FRONT leveling legs approximately $\frac{3}{16}$ " to make any future adjustments easier.



Illus. 4



Illus. 5

Plug the unit into a 15 amp grounded outlet. It is not necessary to remove plastic straps holding extra electrical cord. You may want to test the unit briefly at this time before making final adjustments and attaching panels. Turn the circuit breaker on and see if the unit lights and cools. If it does not, press the "Unit On/Off" button on the control panel. See illustration 5. Once you are satisfied the unit is operating properly, turn the circuit breaker off and proceed.

Leveling

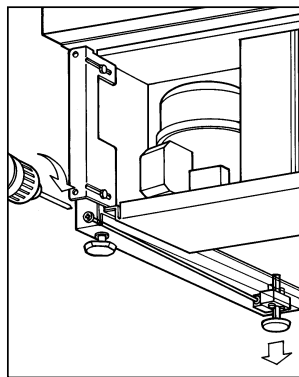
Level the unit by turning the front leveling legs counter-clockwise to raise or clockwise to lower. The rear levelers are adjusted from the front of the base by turning the Phillips head screw.

IMPORTANT NOTE: The rear leveling leg will only move $\frac{1}{16}$ " for every 18 revolutions on the Phillips head screw. DO NOT OVER TORQUE. Use the lowest torque setting on any power screwdriver. DO NOT TURN REAR LEGS by hand. Damage will occur if you turn these legs. Refer to illustration 6.

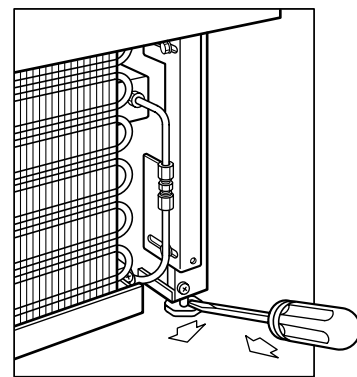
HINT: To assist you in adjusting the front leveling legs up or down, use a standard screwdriver blade and place it in the front leg as shown in illustration 7.

⚠ WARNING

To prevent the unit from tipping, secure the unit in place by using the side mounting clips and #8 x $\frac{1}{2}$ " screws provided. Level your unit before fastening screws.



Illus. 6

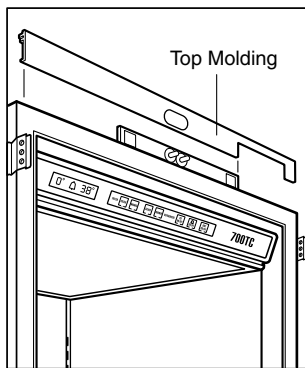


Illus. 7

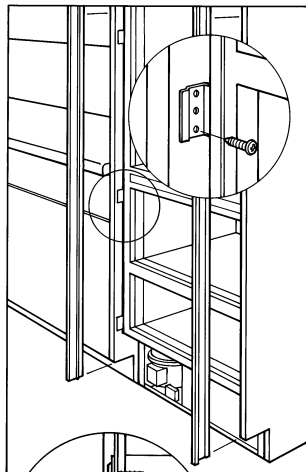
700 SERIES INSTALLATION INSTRUCTIONS

Molding Installation

The decorative white molding strips for the side and top of the unit can be snapped into place. The top molding piece must be installed before the side molding can be attached. Refer to illustrations 8 and 9. For installations where units are side by side, please refer to instructions under Dual Installations.



Illus. 8



Illus. 9

Water Connection

Find the enclosed compression nut and sleeve assembly. Using this assembly, place the compression nut and sleeve on the supply water copper tubing and fasten to the valve stub as shown in illustration 10. Do not over tighten. Purge the water line before the final hookup.

Turn on water supply and check all fittings for leaks. NOTE: The ice maker will not immediately fill with water when supplied to the valve. Allow 24 hours for proper ice production.

Toe Plate / Grille Installation

Once your 700 Series unit is secured, you can install the toe plate / grille. As shown in illustration 11, there is some adjustment to the mounting assembly so this decorative piece can fit flush with the surrounding area.

CAUTION

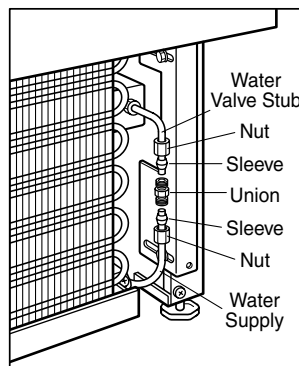
DO NOT cover the grille area.

The unit must be allowed to have ventilation through these fins. You may cover the solid area, but do not block the fins.

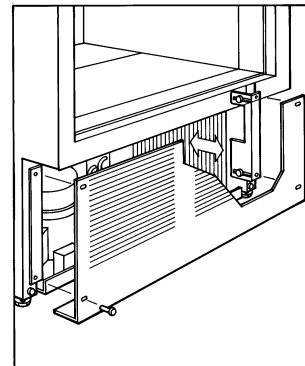
The drawer panel may hang in front of the fins, but your toe plate / grille must not cover them.

HINT: The trim molding and toe plate / grille can be painted another color, if you choose. Follow these easy steps:

- Rough up surface to be painted with fine grit sandpaper.
- Wipe with alcohol to ensure it is clean and dry.
- Use an appliance or industrial grade, oil base, high gloss enamel paint.



Illus. 10



Illus. 11

700 SERIES PANEL INSTALLATION

Panel Installation

All Sub-Zero 700 Series units easily accommodate door and drawer panels as long as you follow these points. We recommend starting on the door of the tall unit and work down to the upper and lower drawers.

⚠ CAUTION

Please exercise caution when drilling holes for mounting hardware. This is especially critical with inset panels.

For any door/drawer handle hardware, we recommend:

- Center pulls on drawer panels
- Near center pulls on edge opposite of door hinge side

You may have to countersink screw heads to ensure hardware does not interfere with panels fitting flush with unit door/drawers.

Door Panel

Tall Unit Door Panel – 40 lb. weight limit

Remove the two pieces of mounting hardware attached to the front of the door and set aside.

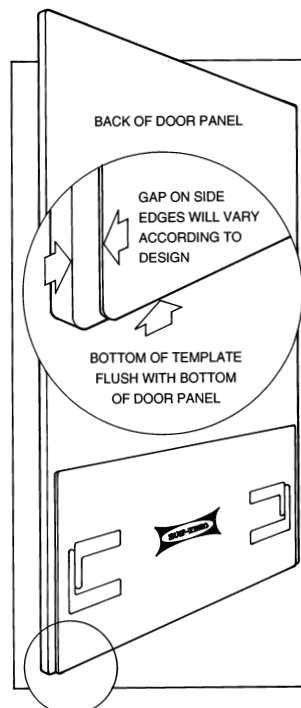
Place the door panel lying face down on a protected surface to ensure the front is not scratched or damaged.

Position the plastic template provided flush with the lower edge of the door. Be sure you are following the exact location for the RH or LH door position. See illustration 12.

IMPORTANT NOTE: The template has two usable sides, one for the door and one for the drawers. Make sure you use proper holes/side. Remember you are viewing the door panel from the back side in illustration 12. The overall size of the panel shown is the minimum size necessary to cover the door of the unit. The exact measurements of your door panel may vary depending on the particular installation you are following.

⚠ CAUTION

Where the reveal on the hinge side of the door panel is less than 1/4", and the panel has a square corner, severe finger pinching or damage to the appliance may occur.

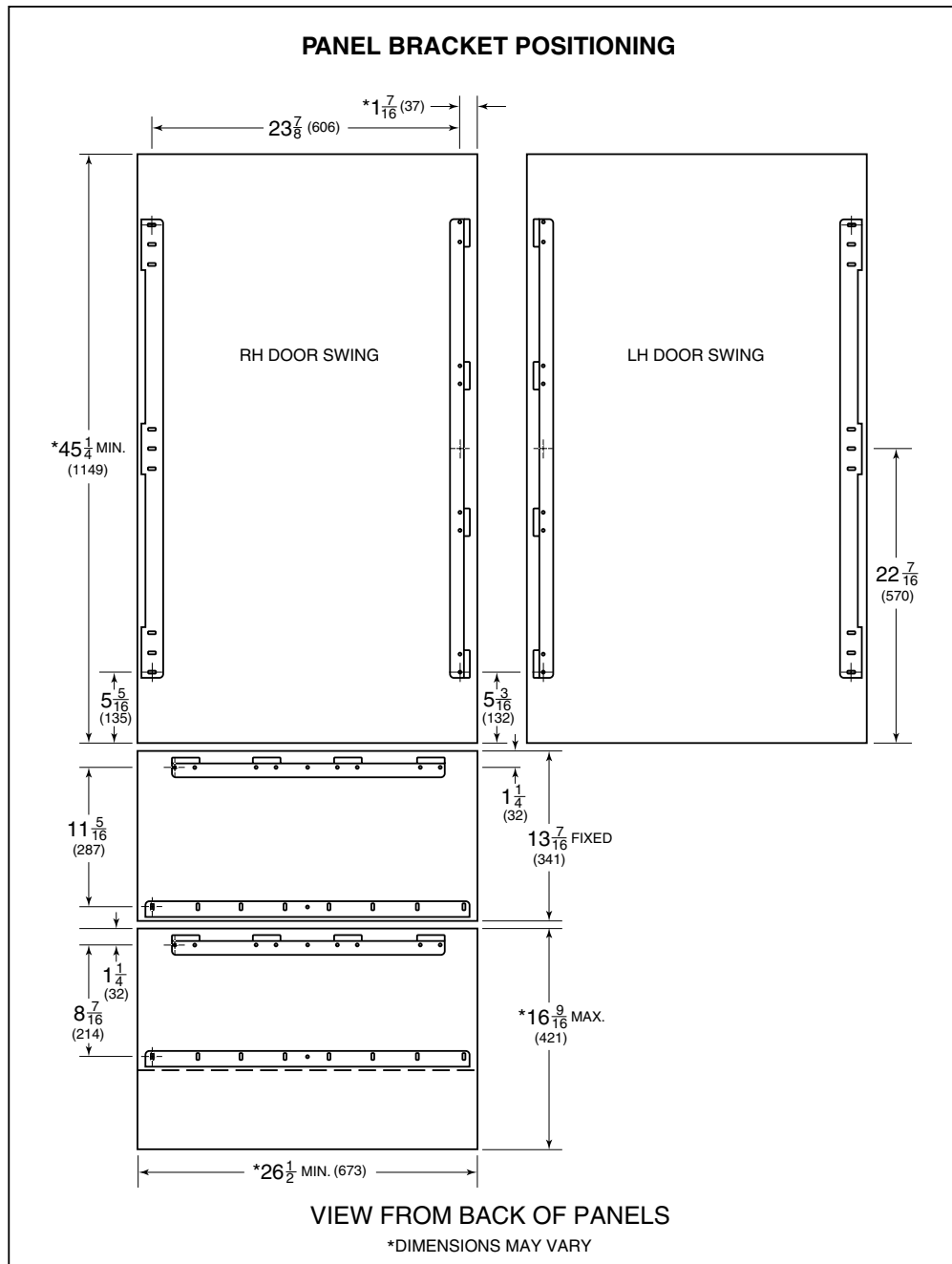


Illus. 12

700 SERIES PANEL INSTALLATION

Once you have located the proper position for the hardware, mark the holes, remove template, and drill pilot holes for mounting of the hardware. We recommend starting the first few holes, positioning the hardware, drilling remaining pilot holes, and securing the mounting brackets with the #8 x 1/2" screws. Illustration 13 shows mounting

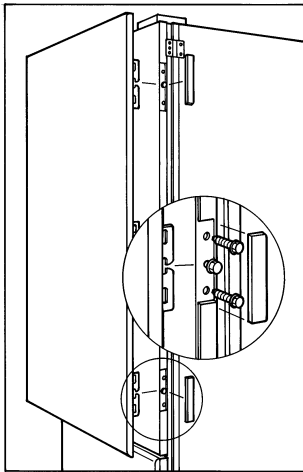
hardware in place. Before trying to place the panel, position the center mounting screws on the hinge side of the door. Screw them in enough to make firm contact with the door, but not all the way. These screws will help hold the door while you secure it. See illustration 14 on page 10.



Illus. 13

700 SERIES PANEL INSTALLATION

Install the door panel by engaging the tabbed bracket to the door first and then sliding the hinge side hardware over the positioning screws. You will have a 1/4" inch adjustment, up and down, side to side, with this hardware. Once you have the door in place, attach the remaining #8 x 1/2" screws to the hinge side mounting bracket and install decorative caps. Refer to illustration 14.



Illus. 14

Drawer Panels

Tall and Base Unit Drawer Panels – 12 lb. weight limit for each drawer.

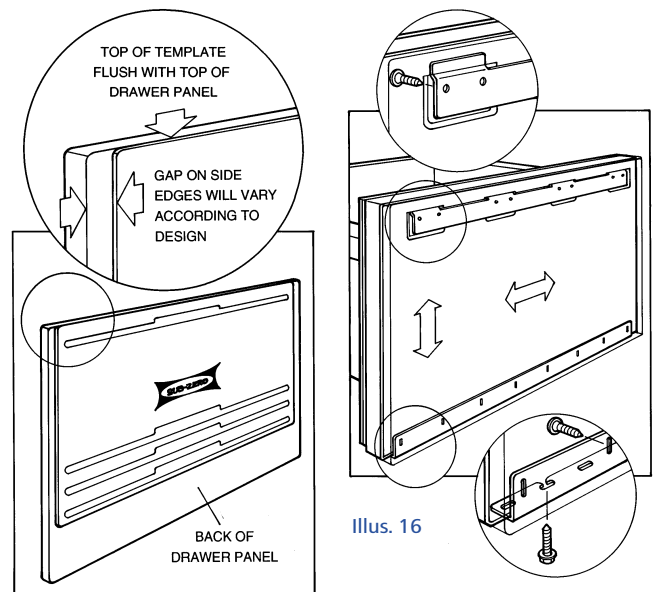
Remove the mounting hardware provided and set aside. As with the door panel, you should work on the back side of each drawer panel and you should protect the fronts of these panels.

Position the top edge of the template flush with the top edge of each drawer. For the top drawer, there is only one place for the lower mounting bracket to be placed. However, depending on the depth of the lower drawer panel, you have two options for placement of the bracket. See illustration 15.

Secure the template in place with tape or small clamp and mark positions for your pilot holes. Remove template. Drill pilot holes and place the hardware in the proper place (dog-ear bracket on top) and fasten securely with #8 x 1/2" screws provided. Refer to illustration 16.

To help with the placement of the drawer panels, examine the lower bracket and determine the slotted holes on the bracket and position screws into the lower portion of the drawer that correspond with these slots. Leave these screws out a small distance so they can help when you mount the drawer panels to the drawer. With the two brackets in place on the drawer panel, engage the top dog-ear bracket first and engage the lower bracket onto the protruding screws. You have a 1/4" inch adjustment up and down and from side to side in each drawer panel. Fasten all screws to lower bracket to secure drawer panel. See illustration 16.

IMPORTANT NOTE: Once drawer panels have been adjusted for proper spacing, be sure to reconnect the electrical wire on the base unit **ONLY** after you have installed the drawer. See illustration 4 on page 6.



Illus. 15

Illus. 16

700 SERIES

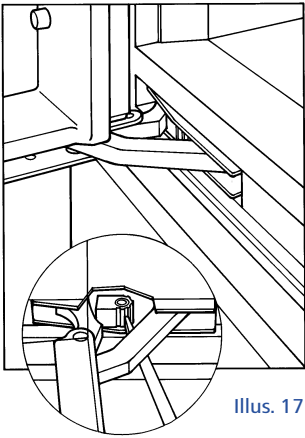
700 SERIES OPTIONAL INSTALLATIONS

Dual Installations

Where two units are placed closer than two inches to one another, it is necessary to use the dual installation components supplied by Sub-Zero. Contact your Sub-Zero distributor for the proper components and instructions.

90 Degree Door Stop

All 700 Series tall units have a 90 degree door stop built into the hinge system. Use the blade edge of a standard screwdriver and rotate the brass cam in the center portion of the hinge until you reach the stop. You must make this adjustment to both bottom and top hinge. Refer to illustration 17.



Illus. 17

Installation Check List

The importance of the installation of your Sub-Zero 700 Series unit cannot be overemphasized. The proper installation of your unit is the responsibility of the selling dealer or installer. The following check list should be completed by the installer to ensure no part of the installation has been overlooked.

Any questions or problems about your installation should be directed to the selling dealer.

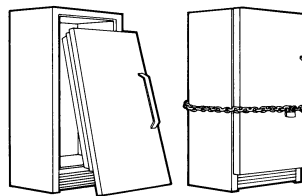
- Is the unit operating? If not, is unit plugged in? Check to see if unit is operating before you install.
- Have the temperatures been set?
- Is packing material removed?
- Is water supply line connected to the units where an icemaker is in place?
- Has the anti-tip blocking bracket been installed properly and is it making contact with the unit?
- Is toe kick plate / grille installed?
- Are panels installed properly?
- Does the customer understand the unit's operation?
- Does the customer understand Sub-Zero's "12-Year Protection Plan" warranty?

Service Info???

Think Safety!

If you are storing or disposing of your old refrigerator, please do it safely.

Child entrapment accidents can be tragic.





SUB-ZERO FREEZER COMPANY, INC.

4717 Hammersley Road • Madison, Wisconsin 53711

(800) 222-7820 • (608) 271-2233

3-75-662-0 700IG 8/00

